

Bearings for Traction Motors

Cylindrical Roller Bearings and Ball Bearings

Roller bearings are used in all traction motors for electric locomotives and electric cars. Usually, cylindrical roller bearings are utilized due to their high-speed and heavy-load capabilities, as well as their ease of assembly and disassembly. In the case of small motors, deep groove ball bearings may also be used.



Cylindrical Roller Bearings and Ball Bearings



Specification for Traction Motor Bearings

1. Special consideration must be given to the economical operation of railway vehicles as well as their reliability and safety.
2. Traction motor bearings operate under severe conditions such as:
 - 1) high radial and axial loads
 - 2) high impact loads
 - 3) high speed
 - 4) extended periods of operation without maintenance
3. NSK uses the following bearing specifications to satisfy the above-noted severe requirements.
 - 1) Bearing materials are vacuum degassed for high purity.
 - 2) Inner and outer rings are treated for heat dimensional stabilization.
 - 3) Raceway surfaces are always super-finished and the rolling surfaces of rollers are either super-finished or barrel-finished.
 - 4) High load-capacity design is applied for electric locomotives.
 - 5) Tapered ribs and roller end crowning are applied for cylindrical roller bearings to increase the axial load capacity (Fig. 1).

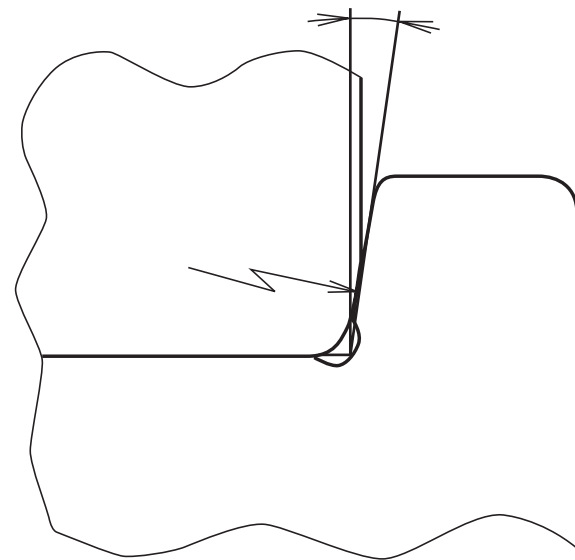


Fig. 1 The design of rib and roller end

- 6) Roller-guided cages is applied for superior lubrication, temperature rise (Fig. 2), etc.
- 7) High-strength cages are applied, particularly with means to prevent loosening of rivets due to vibration and impacts.
- 8) Outside surface and both end faces of outer ring are coated with ceramic or heat-resistant resin for prevention of electric pitting.

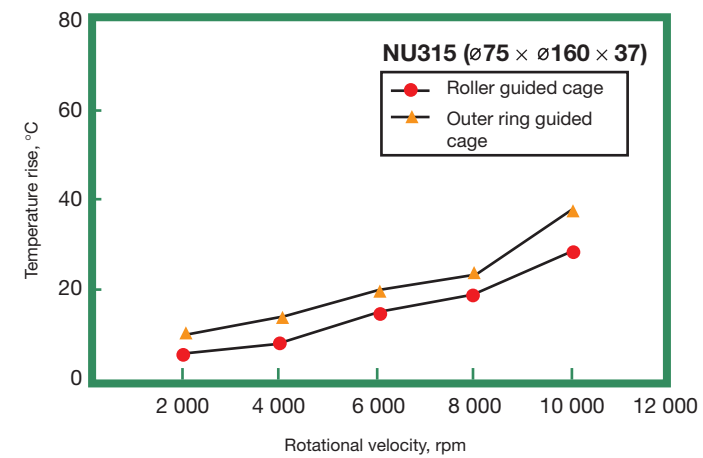
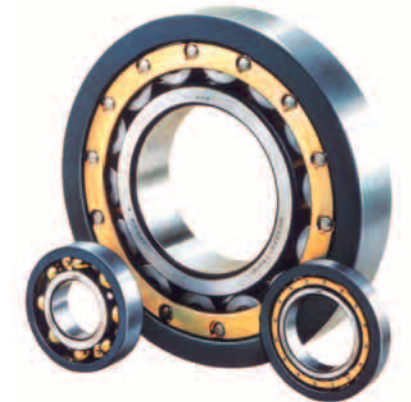


Fig. 2 Comparison of temperature rise



Ceramic-Insulated Bearing



PPS-Insulated Bearing

Photo 1 Insulated bearings

Insulated Bearings

The most important factor hindering maintenance-free running of traction motor bearings is an occurrence of electric pitting of the bearings. To prevent electric pitting, NSK developed ceramic coating insulated bearings and PPS-resin coating insulated bearings (Photo 1).

Relationship between bearing temperature and insulation resistance of ceramic-insulated bearings was assessed. As a result, no deterioration of insulation resistance up to 110°C was observed. And even above 110°C, 100MΩ of resistance was maintained (Fig. 3).

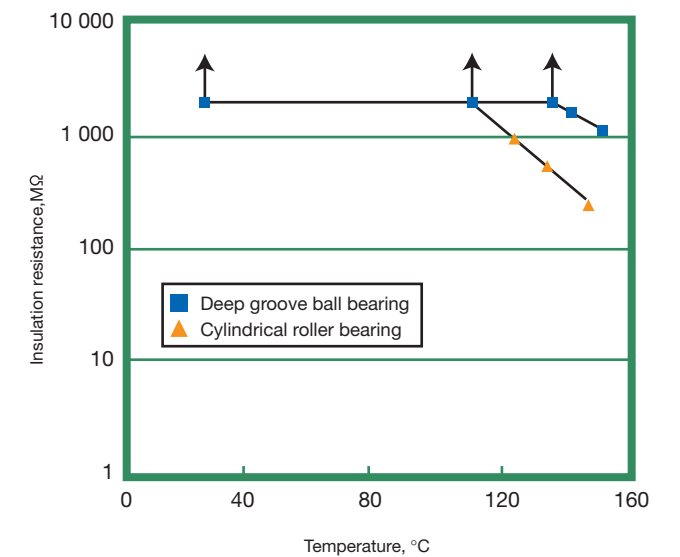
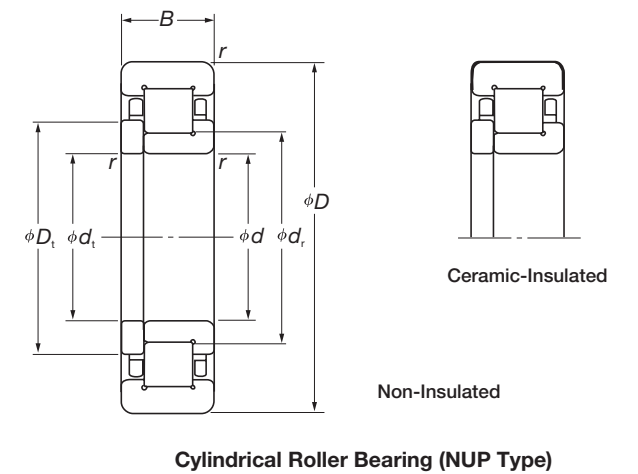
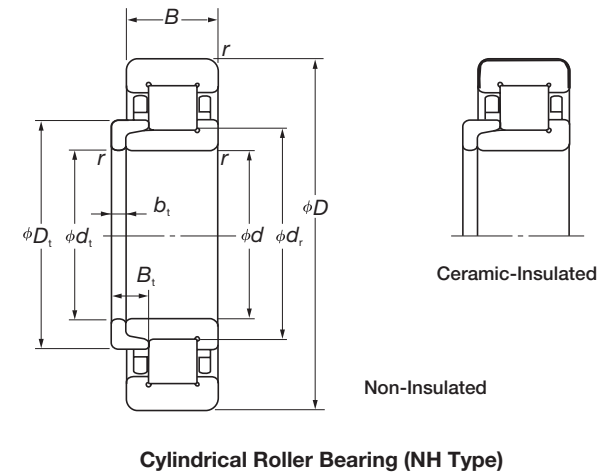
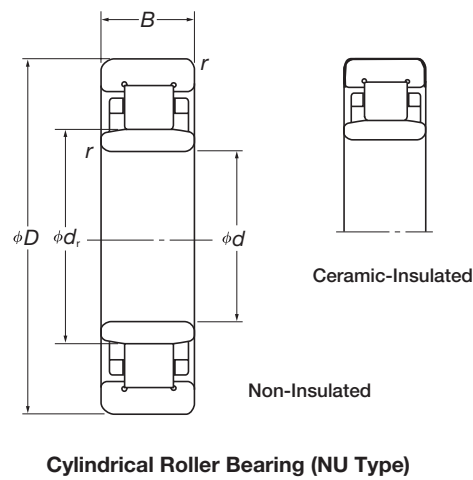


Fig. 3 Temperature vs. Insulation resistance

Tables on Bearings for Electric Locomotive Traction Motors



2□□ Series (Free End-Bearings)

Boundary Dimensions (mm)					Basic Numbers	Internal Design ⁽¹⁾	Basic Dynamic Load Rating (N)	Basic Static Load Rating (N)	Mass (kg) approx.
d	D	B	d_i	r (min)					
120	215	40	143.5	2.1	NU224	E	320 000	395 000	6.3
130	230	40	153.5	3	NU226	E	345 000	425 000	7.9

Note (1) E: High-Capacity Type

3□□ Series (Free End-Bearings)

Boundary Dimensions (mm)					Basic Numbers	Internal Design ⁽¹⁾	Basic Dynamic Load Rating (N)	Basic Static Load Rating (N)	Mass (kg) approx.
d	D	B	d_i	r (min)					
90	190	43	113.5	3	NU318	E	315 000	355 000	6.1
100	215	47	127.5	3	NU320	E	380 000	425 000	8.6
110	240	50	143	3	NU322	E	425 000	485 000	11.5
120	260	55	154	3	NU324	E	530 000	610 000	15.0
130	280	58	165	4	NU326	B	655 000	795 000	18.8
			167			E	615 000	735 000	18.2
140	300	62	180	4	NU328	E	665 000	795 000	22.3
			178			F	705 000	860 000	22.9
150	320	65	193	4	NU330	E	760 000	920 000	27.1
			193			EA	715 000	855 000	26.8
			190.5			J	800 000	985 000	27.3
			190			L	790 000	970 000	27.5
160	340	68	204	4	NU332	E	860 000	1 050 000	31.5
180	380	75	231	4	NU336	E	985 000	1 230 000	43.5

Note (1) E, EA: High-Capacity Type B, F, J, L: Specific Types, respectively

4□□ Series (Free End-Bearings)

Boundary Dimensions (mm)					Basic Numbers	Internal Design	Basic Dynamic Load Rating (N)	Basic Static Load Rating (N)	Mass (kg) approx.
d	D	B	d_i	r (min)					
90	225	54	123.5	4	NU418	-	375 000	400 000	11.5
105	260	60	144.5	4	NU421	-	495 000	555 000	17.3
160	400	88	226	5	NU432	-	1 000 000	1 220 000	61.3

22□□ Series (Free End-Bearings)

Boundary Dimensions (mm)					Basic Numbers	Internal Design ⁽¹⁾	Basic Dynamic Load Rating (N)	Basic Static Load Rating (N)	Mass (kg) approx.
d	D	B	d_i	r (min)					
100	180	46	119	2.1	NU2220	EA	320 000	425 000	5.3

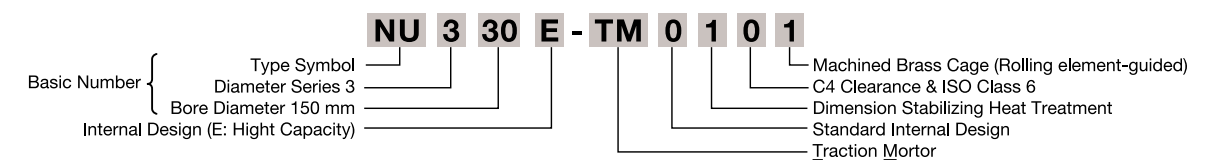
Note (1) EA: High-Capacity Type

3□□ Series (Fixed End-Bearings)

Boundary Dimensions (mm)								Basic Numbers	Internal Design ⁽¹⁾	Basic Dynamic Load Rating (N)	Basic Static Load Rating (N)	Mass (kg) approx.
d, d_i	D	B	d_i	D_i	B_i	b_i	r (min)					
60	130	31	77	84.2	15.5	9	2.1	NH312	-	124 000	126 000	2.3
65	140	33	83.5	91	17	10	2.1	NH313	-	143 000	151 000	2.9
70	150	35	90	98	17.5	10	2.1	NH314	-	158 000	168 000	3.4
75	160	37	95.5	104.2	16.5	11	2.1	NH315	E	240 000	263 000	4.2
75	160	37	95	104.2	-	-	2.1	NUP315	E	240 000	263 000	3.9
80	170	39	101	111.8	17	11	2.1	NH316	E	256 000	282 000	5.0
90	190	43	115	125	21	12	3	NH318	-	240 000	265 000	6.8
			113.5	124.2	18.5				E	315 000	355 000	6.8
90	190	43	115	125	-	-	3	NUP318	B	240 000	265 000	6.3
			113.5	124.2	-				E	315 000	355 000	6.3
100	215	47	129.5	140.5	22.5	13	3	NH320	A	310 000	355 000	9.5
			129.5	140.5	22.5				B	310 000	355 000	9.5
			127.5	139	20.5				E	380 000	425 000	9.6
110	240	50	143	155	22	14	3	NH322	E	425 000	485 000	12.9
120	260	55	154	168.5	23.5	14	3	NH324	-	475 000	550 000	16.6
130	280	58	167	182	24	14	4	NH326	-	560 000	665 000	20.2
			181	181					E	615 000	735 000	20.1
140	300	62	180	196	26	15	4	NH328	-	615 000	745 000	24.7

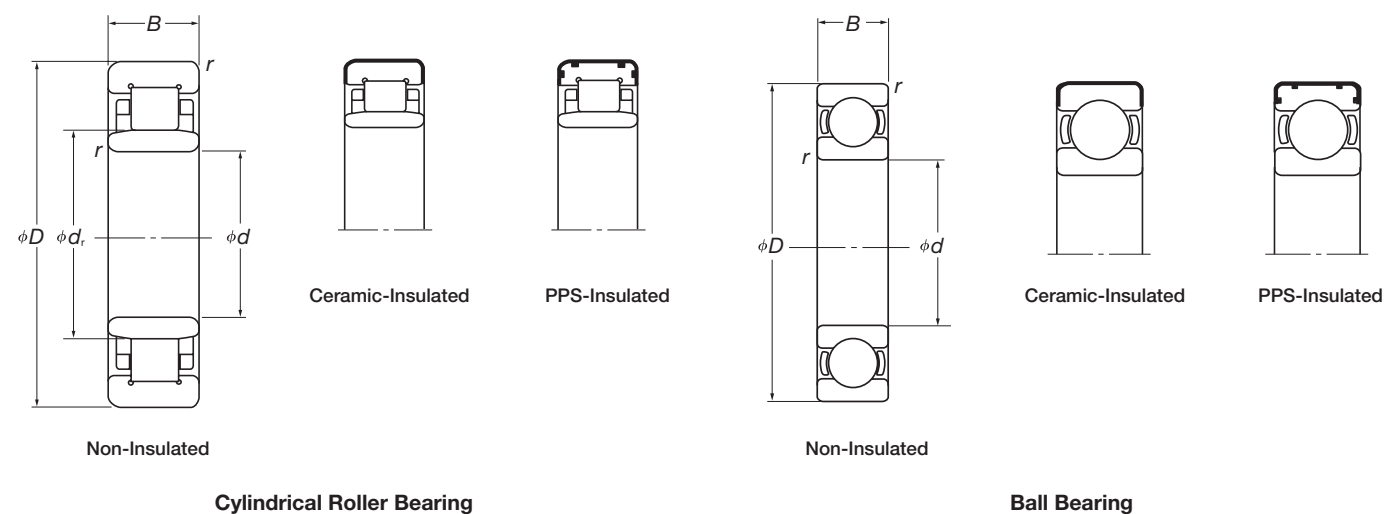
Note (1) E: High-Capacity Type A, B: Specific Types, respectively

Standard Number of Cylindrical Roller Bearings



Remarks : For cylindrical roller bearings for traction motors not listed above, please contact NSK.

Table on Bearings for Electric Car Traction Motors



Loaded Side, Cylindrical Roller Bearings	Boundary Dimensions (mm)					Non-Loaded Side, Ball Bearings	Boundary Dimensions (mm)			
	d	D	B	d _i	r (min)		d	D	B	r (min)
NU212	60	110	22	73.5	1.5	6310	50	110	27	2
NU312	60	130	31	77	2.1	6310	50	110	27	2
NU213	65	120	23	79.6	1.5	6310	50	110	27	2
NU313	65	140	33	83.5	2.1	6311	55	120	29	2
NU214	70	125	24	84.5	1.5	6310	50	110	27	2
NU314	70	150	35	90	2.1	6311	55	120	29	2
NU215	75	130	25	88.5	1.5	6311	55	120	29	2
						6312	60	130	31	2.1
NU315	75	160	37	95.5	2.1	6311	55	120	29	2
						6312	60	130	31	2.1
						6314	70	150	35	2.1
NU415	75	190	45	104.5	3	6313	65	140	33	2.1
NU216	80	140	26	95.3	2	6312	60	130	31	2.1
NU316	80	170	39	103	2.1	6312	60	130	31	2.1
NU416	80	200	48	110	3	6313	65	140	33	2.1
NU217	85	150	28	101.8	2	6217	85	150	28	2
NU218	90	160	30	107	2	6218	90	160	30	2
NU219	95	170	32	113.5	2.1	6219	95	170	32	2.1

	NSK Bearing Numbers ⁽¹⁾	Internal Clearance	Tolerance Class	Other Maker's Numbers (SKF)
Loaded-Side Bearings (Free End-Bearings) NU3□□Series	NU315E-TM0102	C4	P6	NU315ECMC4VA301
	NU316E-TM0101	C4	P6	NU316ECMC4VA301
	NU317E-TM0101	C4	P6	NU317ECMC4VA301
	NU318E-TM0101	C4	P6	NU318ECMC4VA301
	NU320E-TM0102	C4	P6	NU320ECMC4VA301
	NU322E-TM0101	C4	P6	NU322ECMC4VA301
	NU324E-TM0102	C4	P6	NU324ECMC4VA301
	NU326B-TM0113 ⁽²⁾	CG185	P6A	468540VAS
	NU326E-TM0101	C4	P6	NU326ECMC4VA301
	NU328E-TM0102	C4	P6	NU328ECMC4VA301
	NU330E-TM0101	C4	P6	NU330ECMC4VA301
	NU330E-TM1105 ⁽³⁾	C4	P6	NU330ECMRDC4VA301
	NU330J-TM0111	CG205	P6	466830M/W23
	NU332E-TM0101	C4	P6	NU332ECMC4VA301
	NU332EH2 ⁽⁴⁾ -TM0101	C4	P6	NU332ECMC4VA309
Non-Loaded Side-Bearings (Fixed End-Bearings) NH3□□Series	NH312E-TM0101	C4	P6	NH312ECMC4VA301
	NH313E-TM0101	C4	P6	NH313ECMC4VA301
	NH314E-TM0101	C4	P6	NH314ECMC4VA301
	NH315E-TM0102	C4	P6	NH315ECMC4VA301
	NH316E-TM0101	C4	P6	NH316ECMC4VA301
	NH317E-TM0101	C4	P6	NH317ECMC4VA301
	NH318E-TM0101	C4	P6	NH318ECMC4VA301
	NH320E-TM0102	C4	P6	NH320ECMC4VA301
	NH320B-TM0312 ⁽²⁾	CG153	P6A	NH320M2/W23B/W83
	NH320EH2 ⁽⁴⁾ -TM0102	C4	P6	NH320ECMC4VA309
	NH322E-TM0101	C4	P6	NH322ECMC4VA301
	NH324E-TM0102	C4	P6	NH324ECMC4VA301
	NH324E-TM0105 ⁽³⁾	C4	P6	NH324ECMRDC4VA301
	NH326E-TM0101	C4	P6	NH326ECMC4VA301
	NH328E-TM0102	C4	P6	NH328ECMC4VA301

Notes (1) E: High-Capacity Type B, J: Specific Types, respectively
 (2) Two-Piece Roller Drop Type
 (3) One-Piece Roller Drop Type
 (4) Ceramic-Insulated Type

Worldwide Sales Offices

NSK Ltd. - Headquarters, Tokyo, Japan www.nsk.com
 INDUSTRIAL MACHINERY BEARINGS DIVISION-HEADQUARTERS tel: 03-3779-7227
 AFTERMARKET BUSINESS DIVISION-HEADQUARTERS tel: 03-3779-8893
 AUTOMOTIVE BUSINESS DIVISION-HEADQUARTERS tel: 03-3779-7189
 NEEDLE ROLLER BEARINGS STRATEGIC DIVISION-HEADQUARTERS tel: 03-3779-7288
 PRECISION MACHINERY & PARTS DIVISION-HEADQUARTERS tel: 03-3779-7163

Africa

South Africa:
 NSK South Africa (Pty) Ltd. Johannesburg tel: 011-458-3600

Asia and Oceania

Australia:
 NSK Australia Pty. Ltd. Melbourne www.au.nsk.com
 tel: 03-9764-8302

China:

NSK Hong Kong Ltd. Hong Kong tel: 2739-9933
 Kunshan NSK Co., Ltd. Kunshan Plant tel: 0512-5771-5654
 Changshu NSK Needle Bearing Co., Ltd. Jiangsu Plant tel: 0512-5230-1111
 Guizhou HS NSK Bearings Co., Ltd. Anshun Plant tel: 0853-3522332

Dongguan Plant tel: 0769-262-0960
 Zhangjiagang NSK Precision Machinery Co., Ltd. Jiangsu Plant tel: 0512-5867-6496
 Timken-NSK Bearings (Suzhou) Co., Ltd. Jiangsu Plant tel: 0512-6665-5666

NSK China Technology Center Jiangsu tel: 0512-5771-5654
 NSK (Shanghai) Trading Co., Ltd. Shanghai tel: 021-6235-0198

NSK Representative Offices www.nsk.com.cn
 Beijing tel: 010-6590-8161
 Guangzhou tel: 020-3786-4833
 Anshun tel: 0853-3522522
 Chengdu tel: 028-8661-4200
 Shenzhen tel: 0755-25904886
 Changchun tel: 0431-8988682
 NSK (China) Investment Co., Ltd. Shanghai tel: 021-6235-0198

India:

Rane NSK Steering Systems Ltd. Chennai tel: 044-274-66002
 NSK Ltd. India Blanch Office Chennai tel: 044-2446-6862
 Gurgaon tel: 124-4104530

Indonesia:

PT. NSK Bearings Manufacturing Indonesia Jakarta tel: 021-898-0155
 PT. NSK Indonesia Jakarta tel: 021-252-3458

Korea:

NSK Korea Co., Ltd. Seoul www.kr.nsk.com
 Changwon Plant tel: 02-3287-0300
 tel: 055-287-6001

Malaysia:

NSK Bearings (Malaysia) Sdn. Bhd. Kuala Lumpur tel: 03-7722-3373
 NSK Micro Precision (M) Sdn. Bhd. Malaysia Plant tel: 03-8961-6288

New Zealand:

NSK New Zealand Ltd. Auckland www.nsk-rhp.co.nz
 tel: 09-276-4992

Philippines:

NSK Representative Office Manila tel: 02-759-6246

Singapore:

NSK International (Singapore) Pte Ltd. Singapore tel: 65-6273-0357
 NSK Singapore (Pte) Ltd. www.nsk-singapore.com.sg
 Singapore tel: 65-6278-1711

Taiwan:

Taiwan NSK Precision Co., Ltd. Taipei tel: 02-2509-3305
 Taiwan NSK Technology Co., Ltd. Taipei tel: 02-2509-3305

Thailand:

NSK Bearings (Thailand) Co., Ltd. Bangkok tel: 02-6412-150
 NSK Bearings Manufacturing (Thailand) Co., Ltd. Chonburi tel: 038-454010-454016
 SIAM NSK Steering Systems Co., Ltd. Chachoengsao tel: 038-522-343-350
 NSK Asia Pacific Technology Center (Thailand) Co., Ltd. Chonburi tel: 038-454631-454633

Vietnam:

NSK Representative Office Hanoi tel: 04-935-1269
 Ho Chi Minh City tel: 08-822-7907

Europe

NSK Europe Ltd. (European Headquarters) www.eu.nsk.com
 Maidenhead, U.K. tel: 01628-509800

France:

NSK France S.A.S. Paris tel: 01-30-57-39-39

Germany:

NSK Deutschland GmbH Düsseldorf tel: 02102-481-0

NSK Precision Europe GmbH Düsseldorf tel: 02102-481-0

NSK Steering Systems Europe Ltd. Stuttgart tel: 0771-79082-277

Neueweg Fertigung GmbH Munderkingen tel: 07393-540

Italy:

NSK Italia S.p.A. Milano tel: 02-995-19-1

Industria Cuscinetti S.p.A. Torino Plant tel: 0119824811

Netherlands:

NSK European Distribution Centre B.V. Tilburg tel: 013-4647647

Poland:

NSK Europe Ltd. Warsaw Liaison Office Warsaw tel: 022-645-1525, 1526

NSK Iskra S.A. Kielce tel: 041-367-0505

NSK European Technology Center, Poland Office Kielce tel: 041-366-5812

NSK Steering Systems Europe (Polska) Sp.z.o.o. Walbrzych tel: 074-664-4101

Spain:

NSK Spain S.A. Barcelona tel: 093-289-27-63

Turkey:

NSK Bearings Middle East Trading Co., Ltd. Istanbul tel: 0216-355-0398

United Kingdom:

NSK Bearings Europe Ltd. Peterlee Plant tel: 0191-586-6111

NSK European Technology Centre Newark tel: 01636-605123

NSK UK Ltd. Newark tel: 01636-605123

NSK Precision UK Ltd. Newark tel: 01636-605123

NSK Steering Systems Europe Ltd. Coventry tel: 024-76-588588

North and South America

NSK Americas, Inc. (American Headquarters)

Ann Arbor tel: 734-913-7500

Argentina:

NSK Argentina SRL Buenos Aires tel: 11-4704-5100

Brazil:

NSK Brasil Ltda. São Paulo www.br.nsk.com
 tel: 011-3269-4786

Canada:

NSK Canada Inc. Toronto www.ca.nsk.com
 tel: 905-890-0740

Mexico:

NSK Rodamientos Mexicana, S.A. de C.V. Mexico City www.mx.nsk.com
 tel: 55-5390-4312

United States of America:

NSK Corporation Ann Arbor www.us.nsk.com
 tel: 734-913-7500

NSK American Technology Center Ann Arbor tel: 734-913-7500

NSK Precision America, Inc. Franklin www.npa.nsk.com
 tel: 317-738-5000

NSK Steering Systems America, Inc. Bennington, Vermont www.nsa.nsk.com
 tel: 802-442-5448

NSK Latin America, Inc. Miami www.la.nsk.com
 tel: 305-477-0605

NSK Ltd. has a basic policy not to export any products or technology designated as controlled items by export-related laws. When exporting the products in this brochure, the laws of the exporting country must be observed. Specifications are subject to change without notice and without any obligation on the part of the manufacturer. Every care has been taken to ensure the accuracy of the data contained in this brochure, but no liability can be accepted for any loss or damage suffered through errors or omissions. We will gratefully acknowledge any additions or corrections.

For more information about NSK products, please contact:



Printed on 100% recycled paper.